

1 2 3 4 5 6 7 8

A

A

Ordering Information

SA22M - XX 1884 P X - 47

Contact Area Plating P=Post
 G1 : Gold Flash
 G4 : 15 u"
 G5 : 30 u"

1=Tube
 2=Tray
 3=T&R+CAP
 4=T&R+Mylar

NOTES:

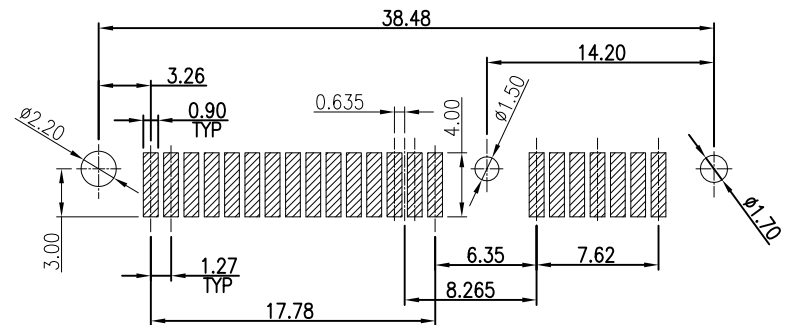
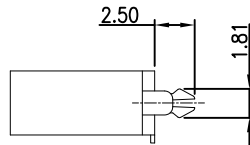
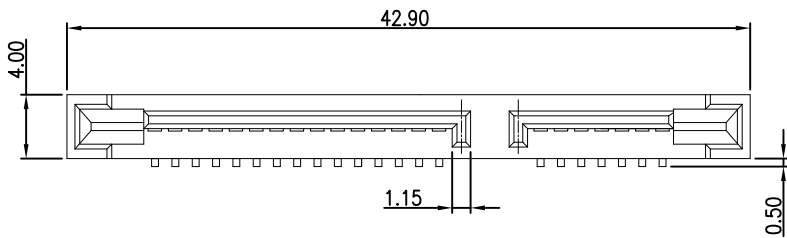
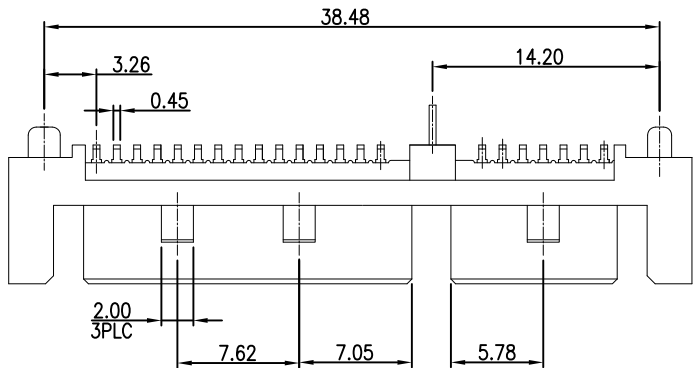
1.MATERIAL:

HOUSING:LCP 30% G/F UL94 V-0
 COLOR:BLACK

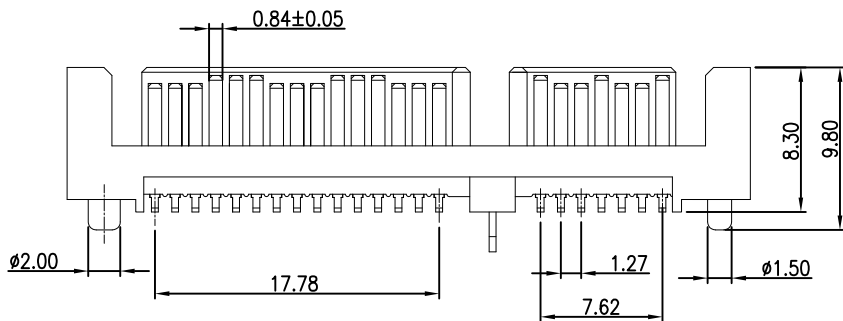
CONTACT:PHOSPHOR BRONZE C5191H T=0.25mm
 BOARD LOCK:BRASS C2680H T=0.30mm

2.FINISH:

CONTACT:GOLD FALSH/TIN PLATING ON CONTACT AREA
 100u" MIN.TIN PLATING ON SOLDERTAILS
 50u" MIN.NICKEL UNDERPLATING OVER ALL
 BOARD LOCK:100u"MIN.TIN PLATION ON SOLDERTAILS
 50u"MIN.TIN NICKEL UNDERPLATING OVER ALL



P.C.B. Layout
 PCB TOLERANCE:±0.05



RoHS
 Compliant

REV.	REVISION RECORD	DATE	General Tolerances		
A	Original	03/19/15'	LINEAR	0.0 ±0.35 0.00±0.20	ANGLES ±3°
			UNIT:mm(in)		
			A4	NAME	DATE
			APPROVED	SUNNY	
			DESIGNER	TED	
			DRAWN	WING	
			ARIBA TECHNOLOGY CO., LTD.		
			TITLE: SATA 22P Male SMT Vertical type W dual posts H=8.3mm		
			DWG.NO.: SA22M-XX1884PX-47		REV. A
			SCALE	1 : 1	SHEET 1 OF 1

1 2 3 4 5 6 7 8

H

H